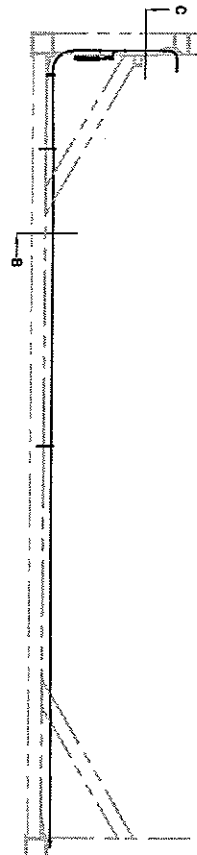
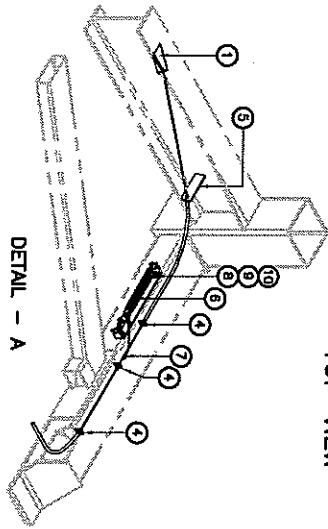


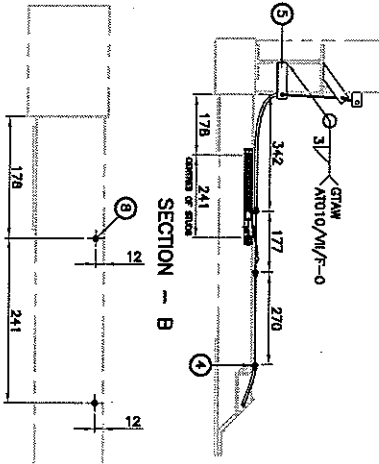
FRONT VIEW



TOP VIEW

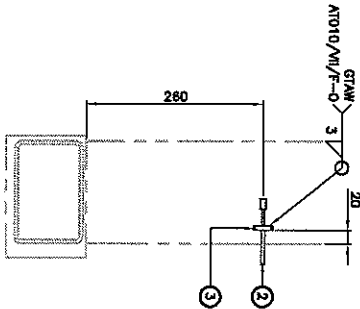


DETAIL - A

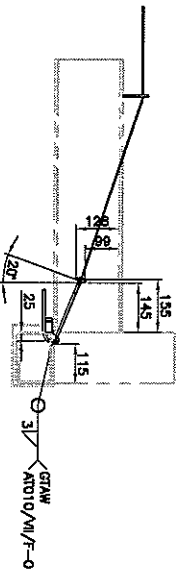


SECTION - B

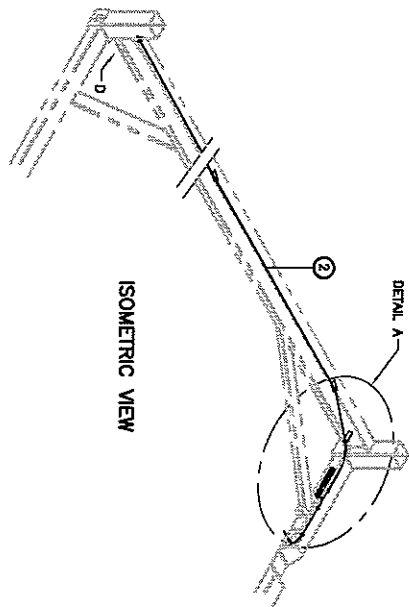
SECTION - B  
SHOWING STUD POSITION ONLY



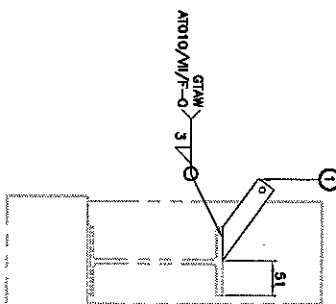
VIEW ON ARROW - D



SECTION - C



ISOMETRIC VIEW



VIEW ON ARROW - E

NO	QUANTITY	DESCRIPTION	UNIT	MATERIAL	REVISION	DATE	BY	CHK
1	2	WELDED-JOB						
2	2	WELDED-JOB-WELD-JOB						
3	2	STUD-PROTECTOR-MED-WIRZON						
4	2	WELDED-JOB						
5	1	DRG-ANALYS-DRG-ANALYS-DRG-ANALYS						
6	1	DRG-ANALYS-DRG-ANALYS-DRG-ANALYS						
7	1	DRG-ANALYS-DRG-ANALYS-DRG-ANALYS						
8	1	DRG-ANALYS-DRG-ANALYS-DRG-ANALYS						
9	1	DRG-ANALYS-DRG-ANALYS-DRG-ANALYS						
10	2	DRG-ANALYS-DRG-ANALYS-DRG-ANALYS						

NO	DESCRIPTION	DATE	BY	CHK
1	REVISION	7/8/75		
2	REVISION			
3	REVISION			
4	REVISION			
5	REVISION			
6	REVISION			
7	REVISION			
8	REVISION			
9	REVISION			
10	REVISION			

NO	DESCRIPTION	DATE	BY	CHK
1	REVISION	7/8/75		
2	REVISION			
3	REVISION			
4	REVISION			
5	REVISION			
6	REVISION			
7	REVISION			
8	REVISION			
9	REVISION			
10	REVISION			

NO	DESCRIPTION	DATE	BY	CHK
1	REVISION	7/8/75		
2	REVISION			
3	REVISION			
4	REVISION			
5	REVISION			
6	REVISION			
7	REVISION			
8	REVISION			
9	REVISION			
10	REVISION			

Welding Oddy  
DRACO1351638989-C  
REVISION 231